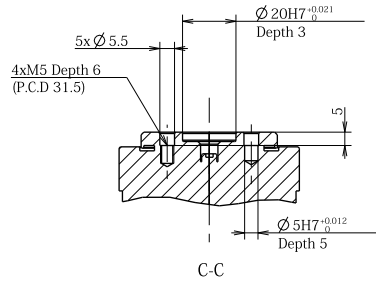
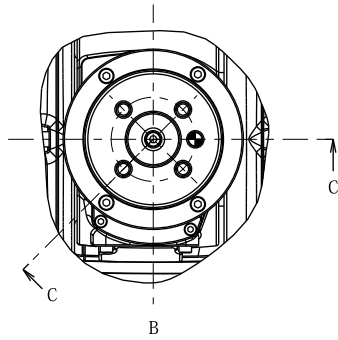
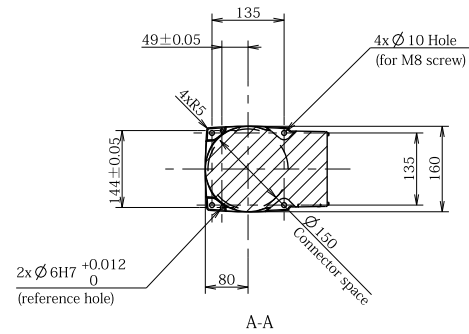


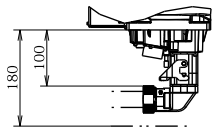
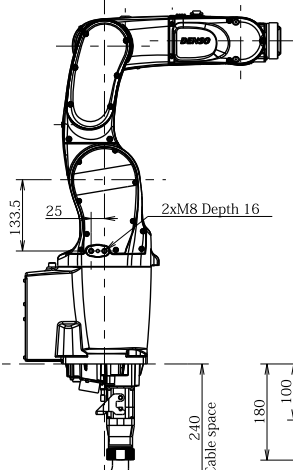
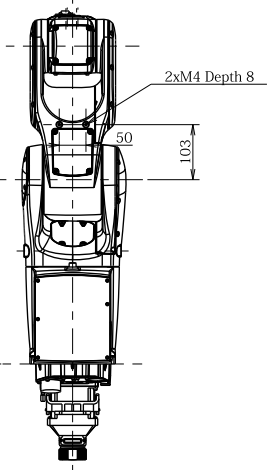
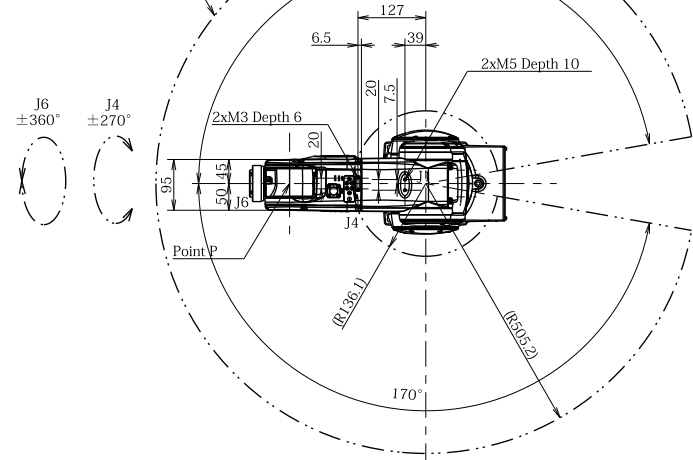
Detailed drawing of end-effector mounting face



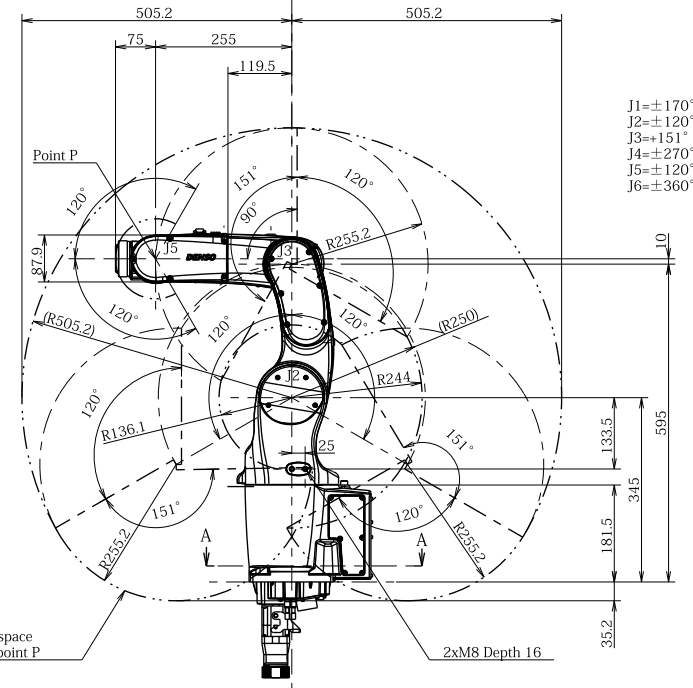
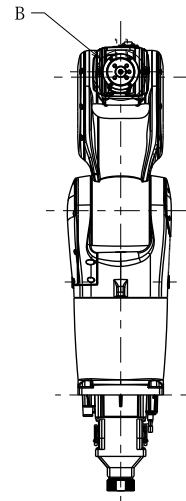
Detailed drawing of base mounting face



Workable space
 defined by point P



Cable space
 Angle Connector Type



- J1=±170°
- J2=±120°
- J3=±151° -120°
- J4=±270°
- J5=±120°
- J6=±360°

Workable space
 defined by point P