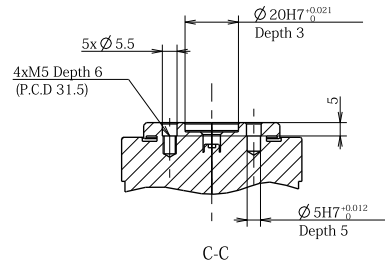
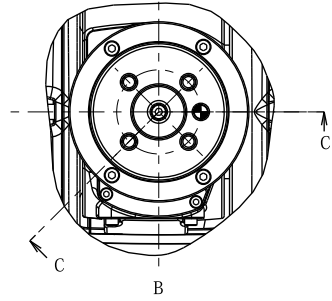
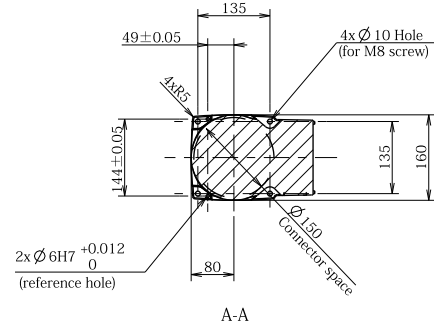


VS-060 (Bottom Connector Panel, Standard Flange, Cleanroom (class 5 cleanliness-ISO 14644-1)  
 410590-3640  
 VS-060 (Bottom Connector Panel, Standard Flange, Cleanroom (class 3 cleanliness-ISO 14644-1)  
 410590-3720

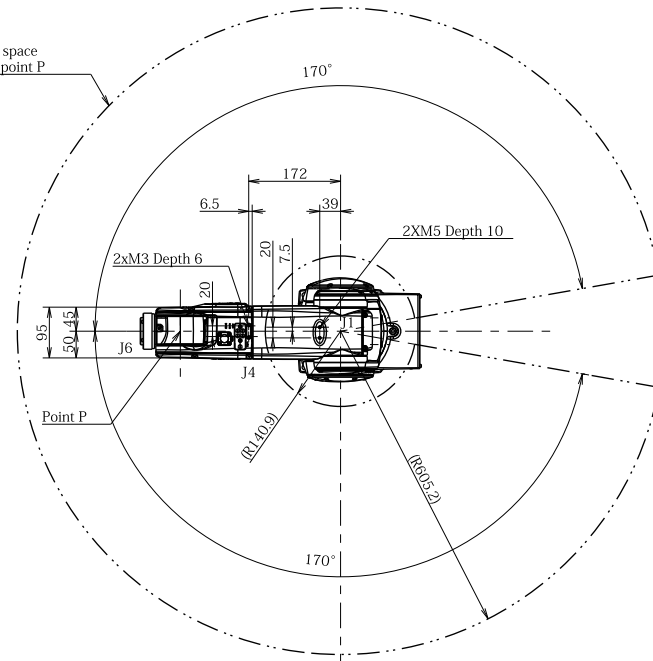
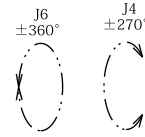
Detailed drawing of end-effector mounting face



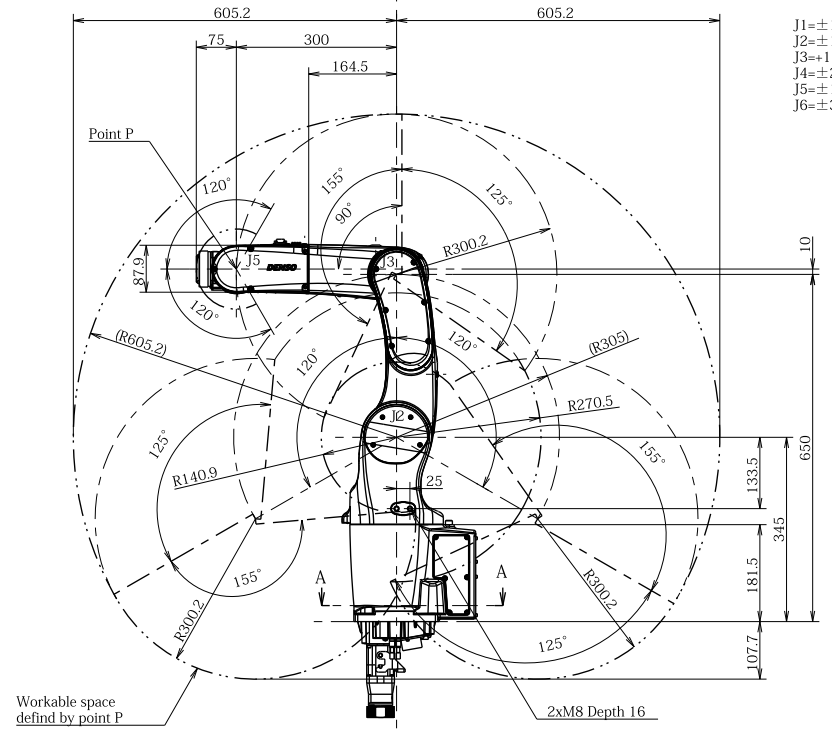
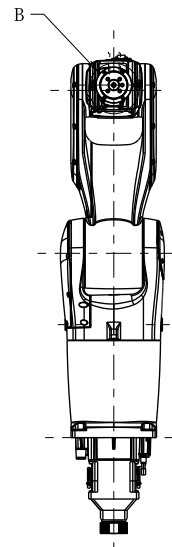
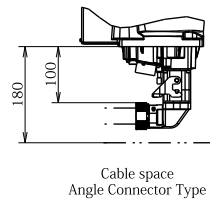
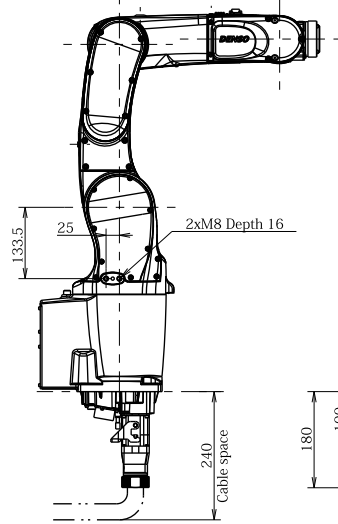
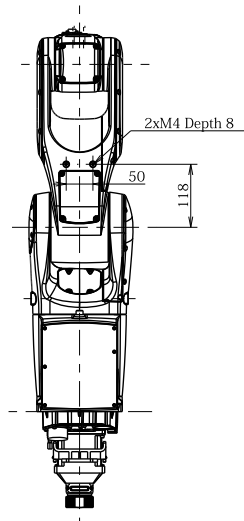
Detailed drawing of base mounting face



Workable space  
 defined by point P



J1=±170°  
 J2=±120°  
 J3=±155°, -125°  
 J4=±270°  
 J5=±120°  
 J6=±360°



Workable space  
 defined by point P