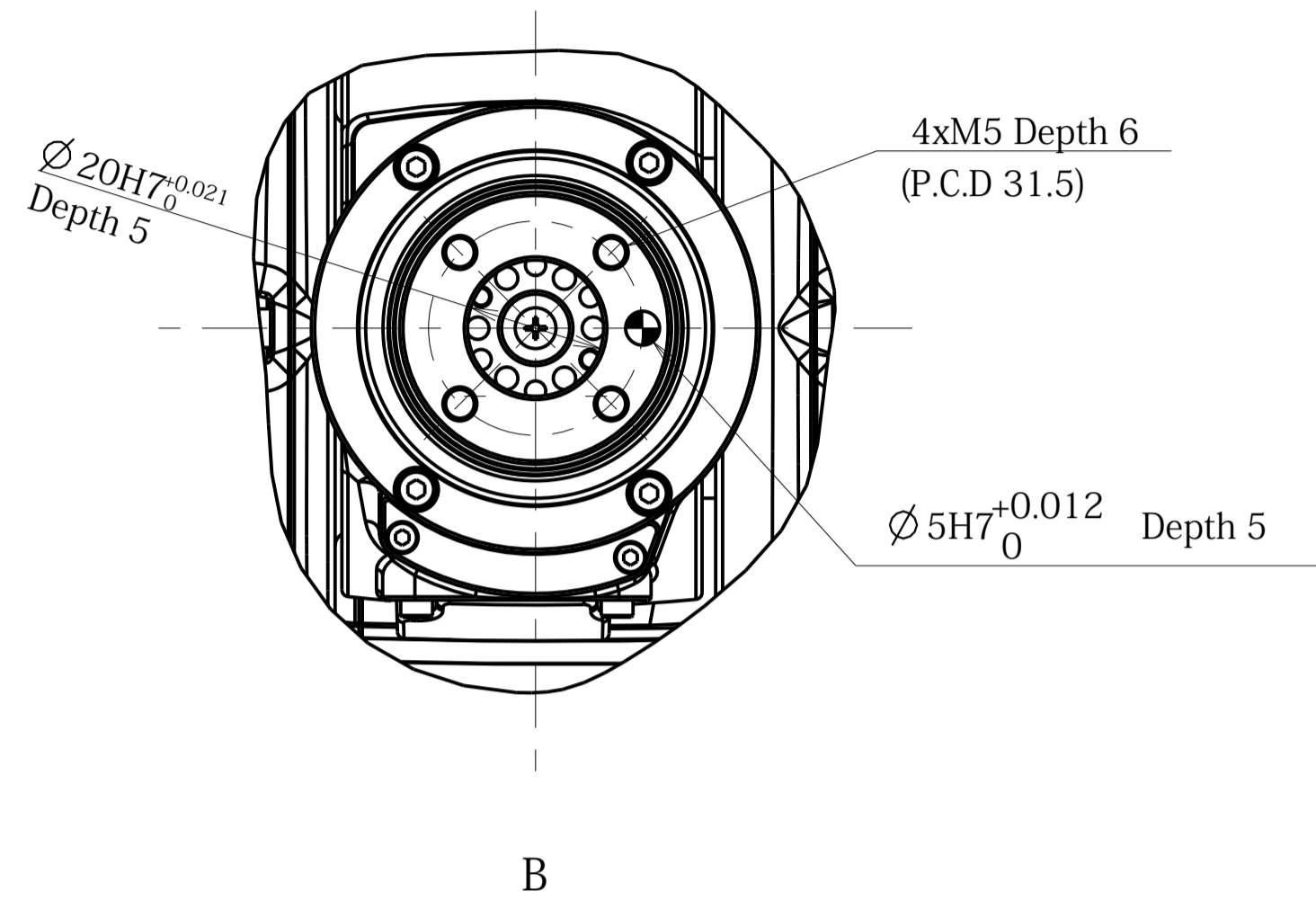
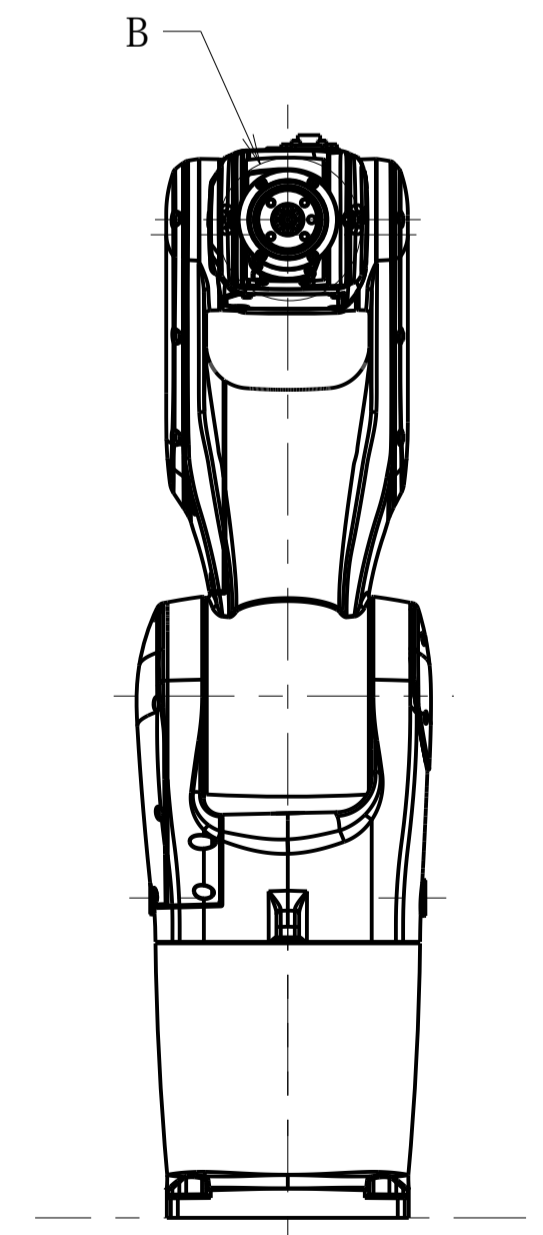
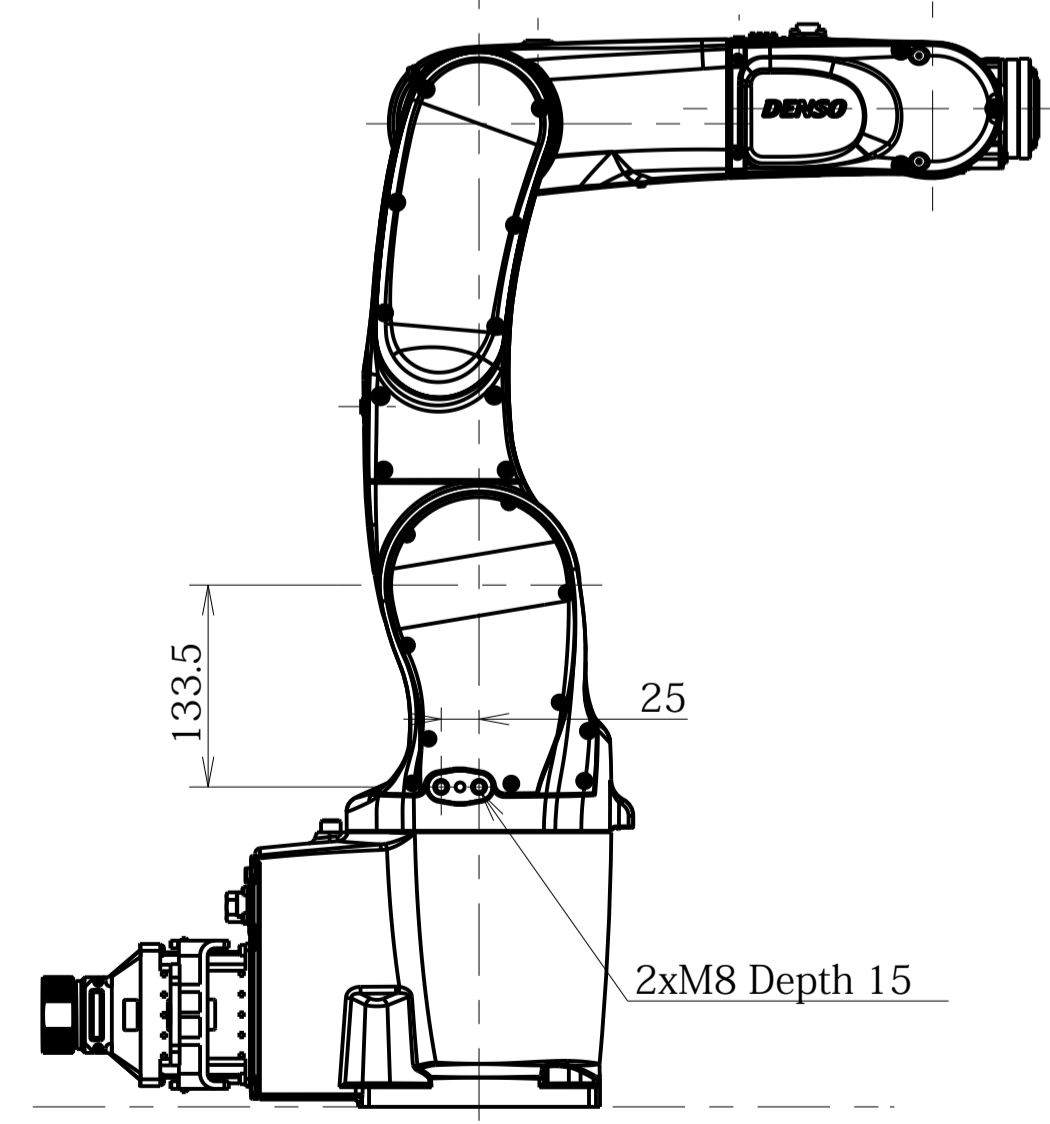
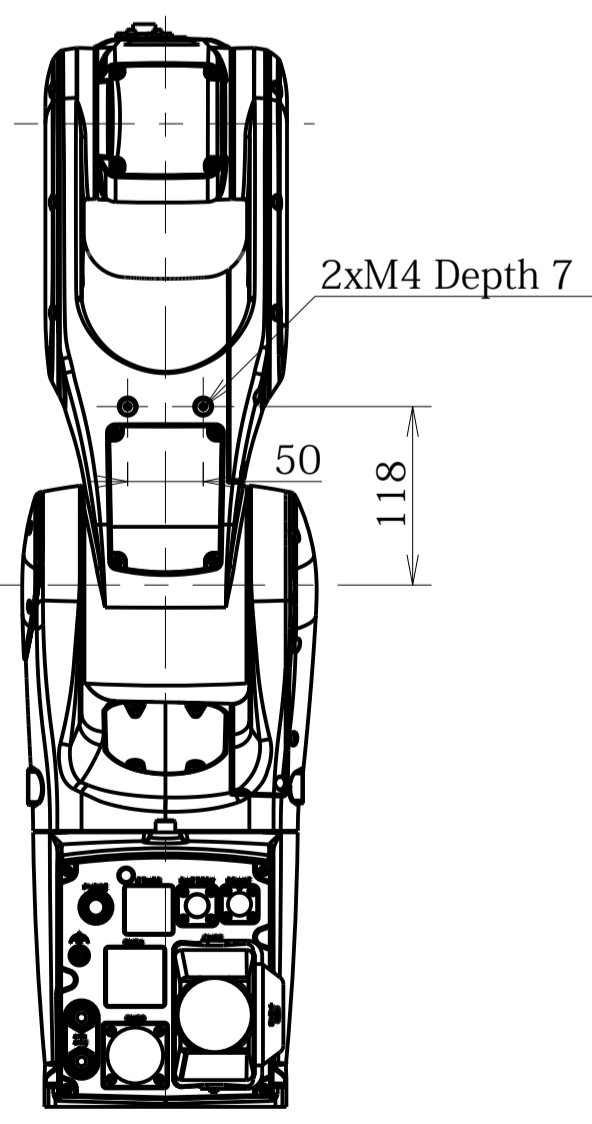
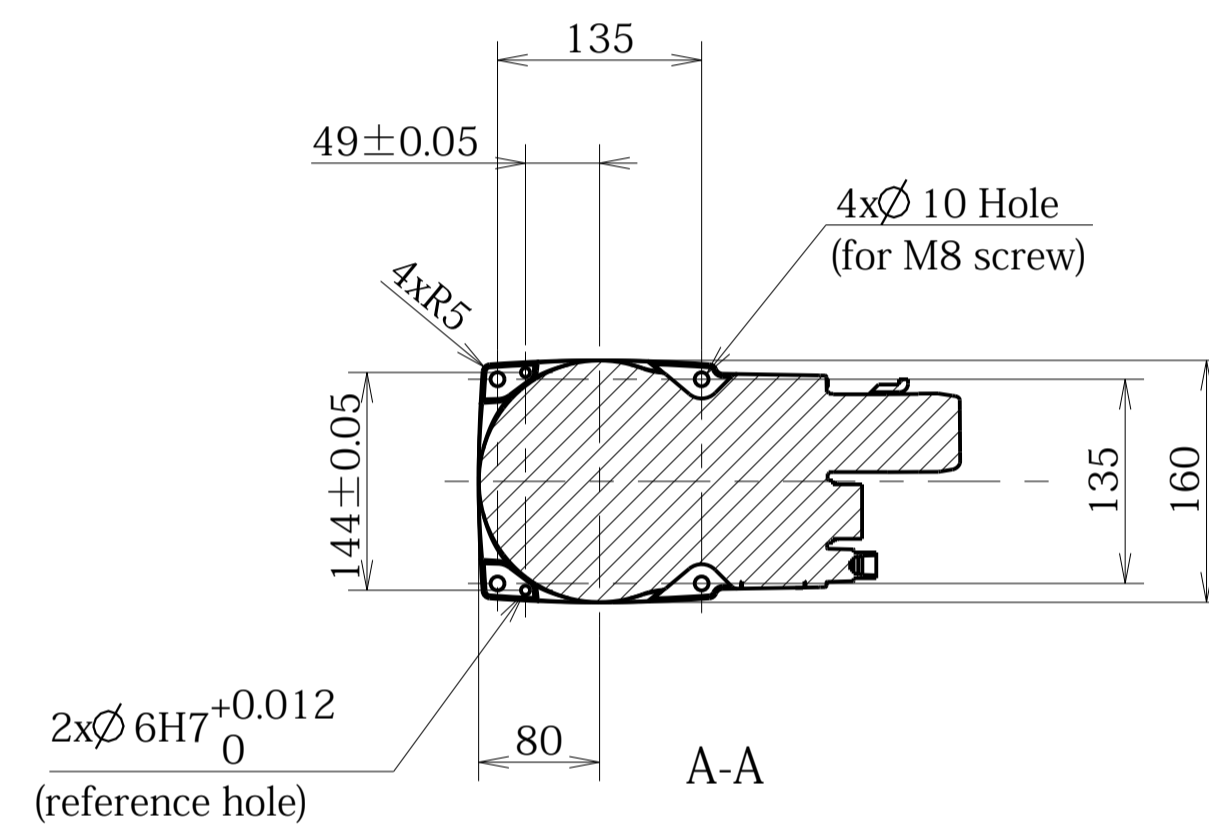


VS-060 (Rear Connector Panel, Standard Flange, Protected type(IP67))  
 410590-3340  
 VS-060 (Rear Connector Panel, Standard Flange, Dust & Mistproof (IP54(Wrist:IP65)))  
 410590-3460

Detailed drawing of end-effector mounting face



Detailed drawing of base mounting face



Workable space  
 defin by point P

