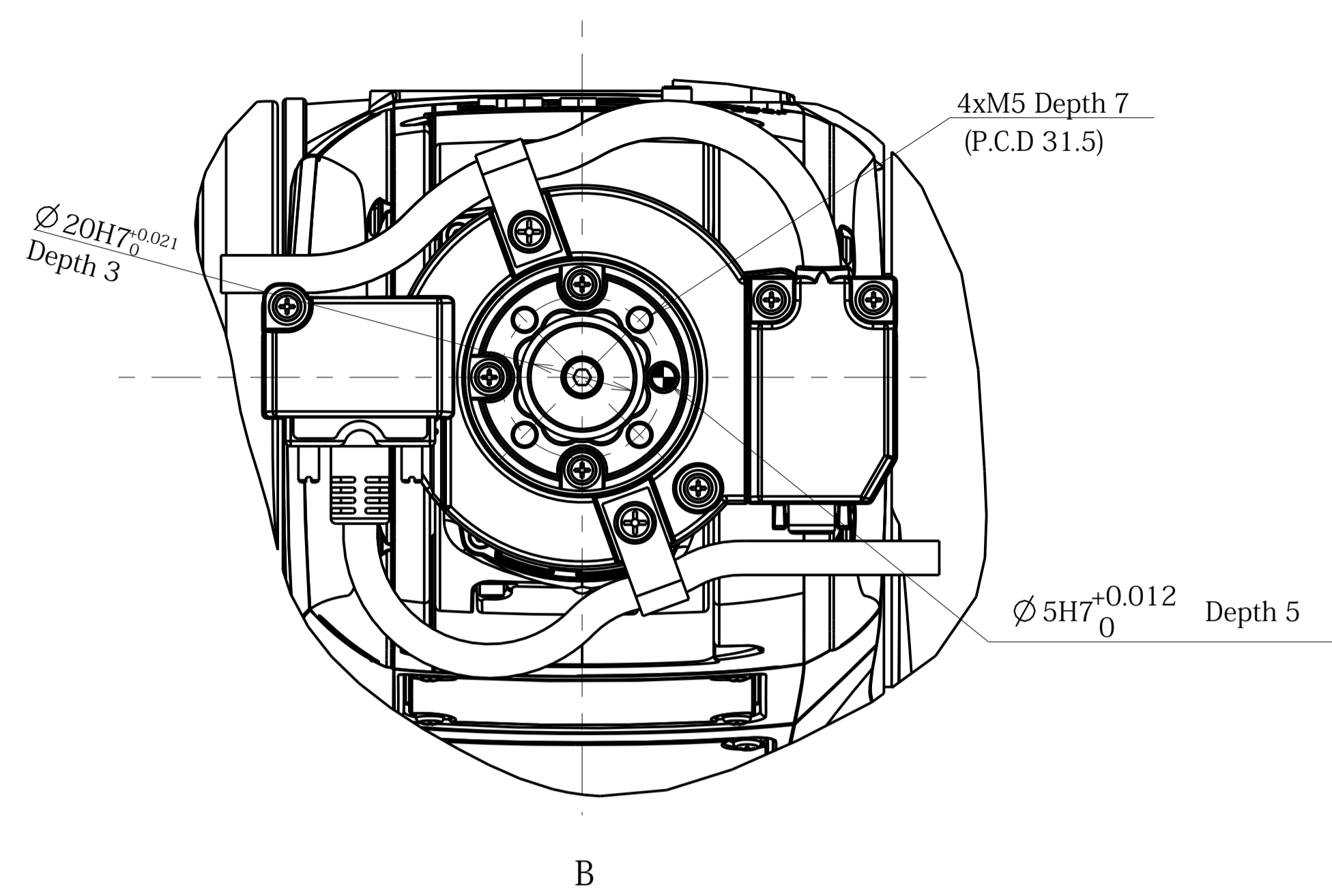
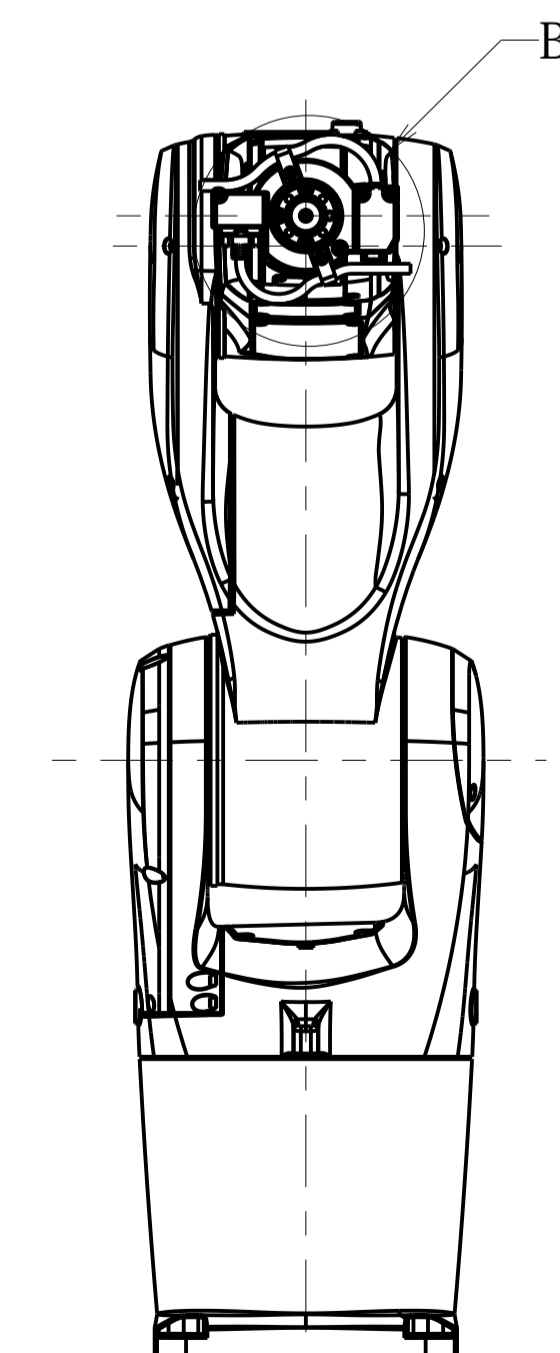
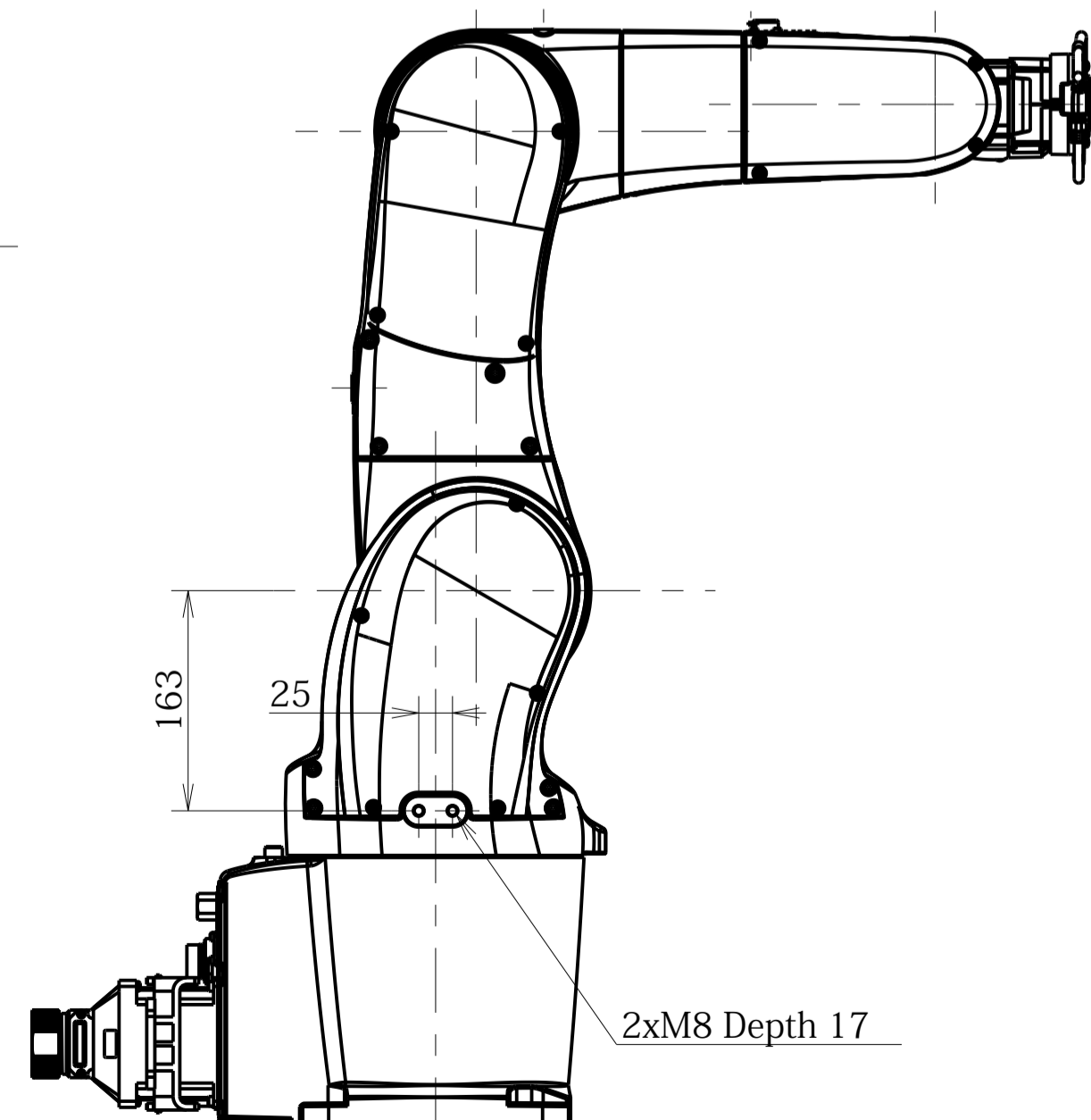
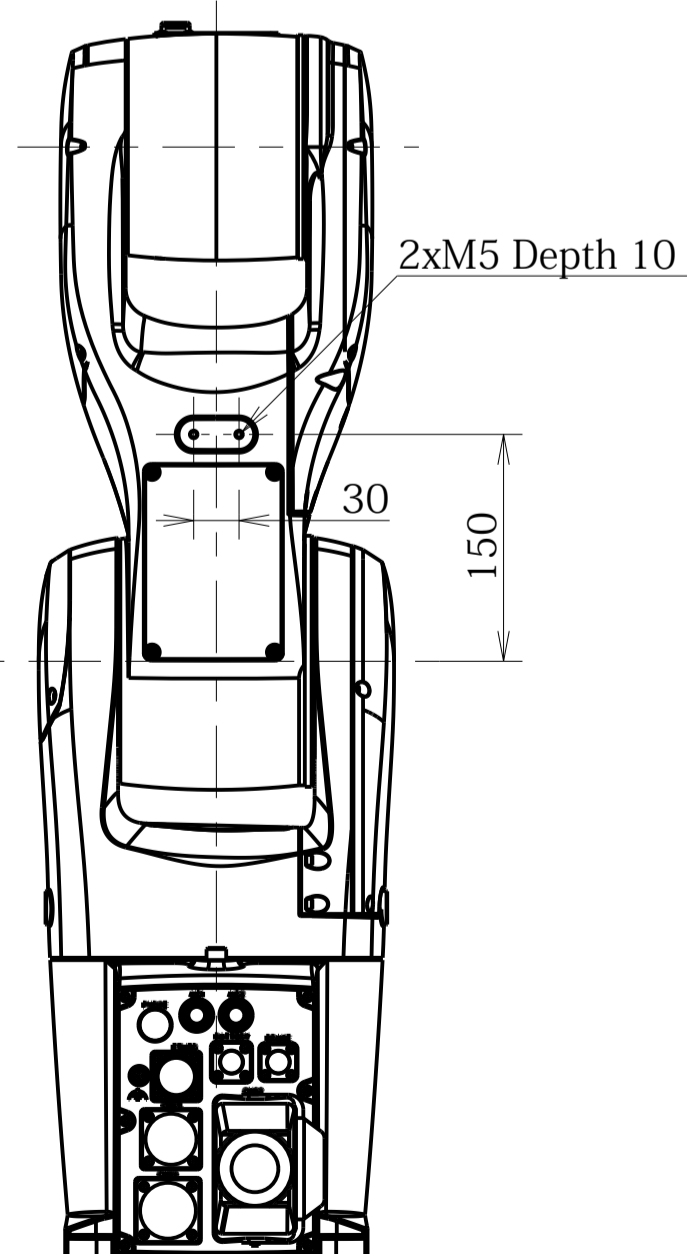
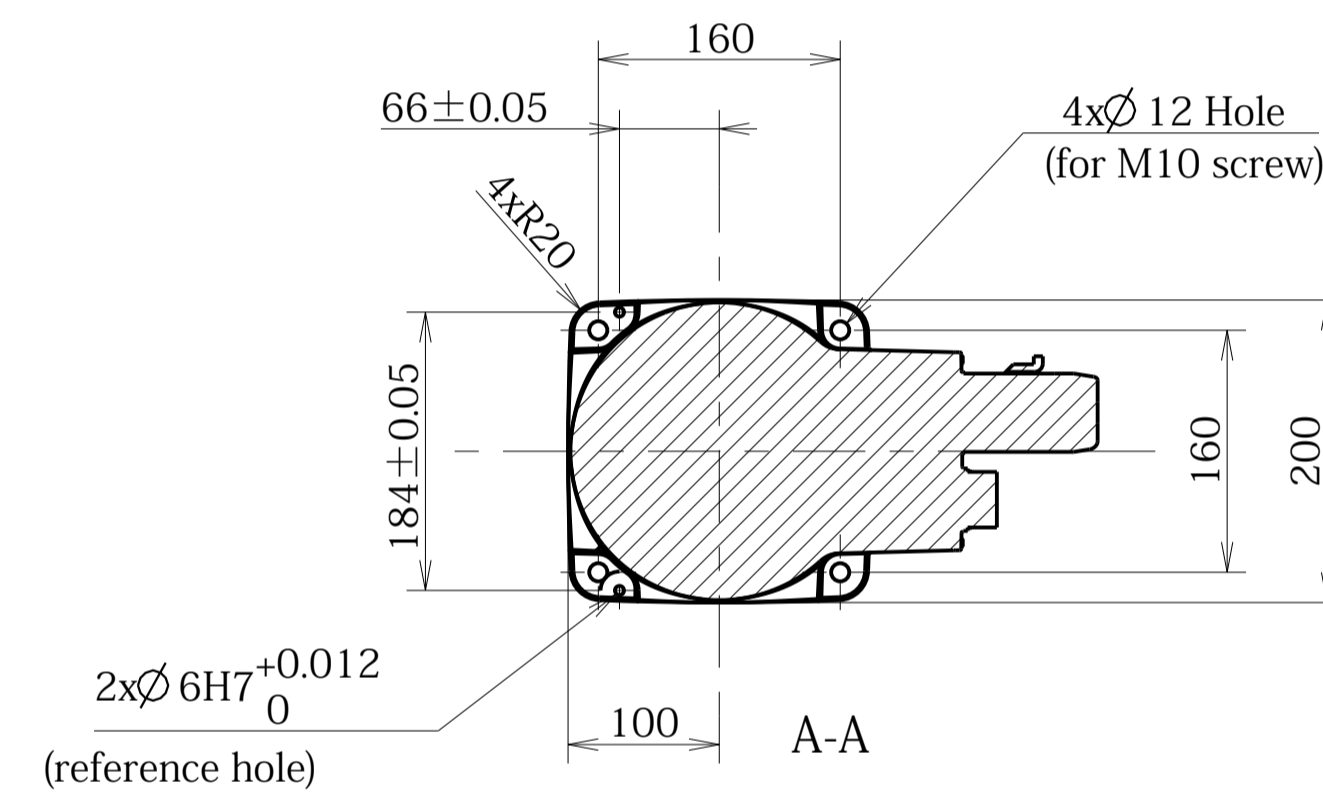


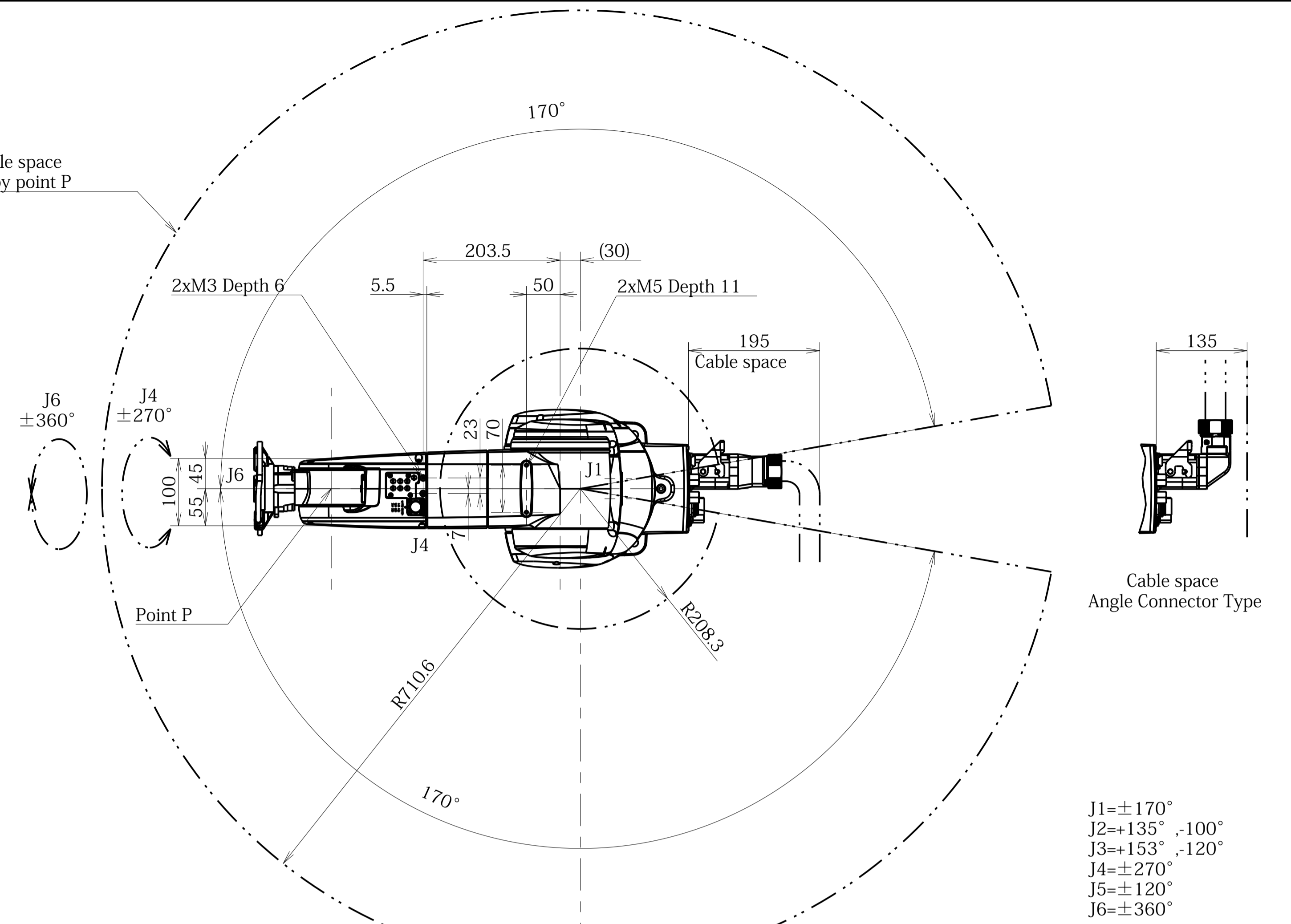
Detailed drawing of end-effector mounting face



Detailed drawing of base mounting face



Workable space defined by point P



Cable space Angle Connector Type

