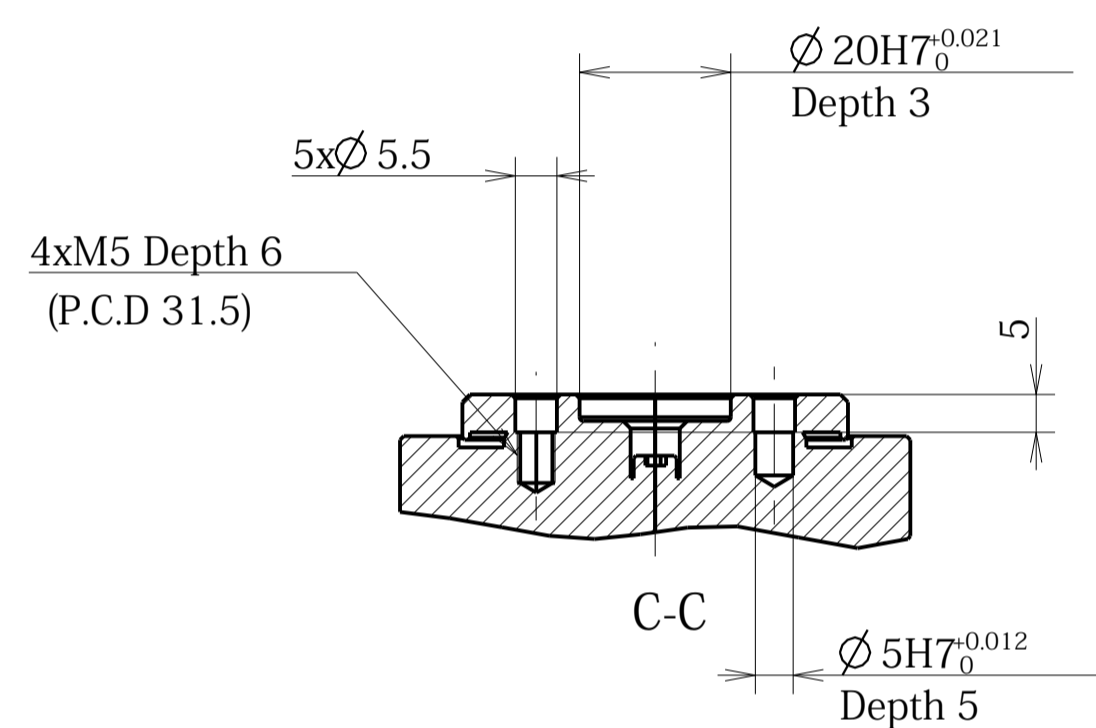
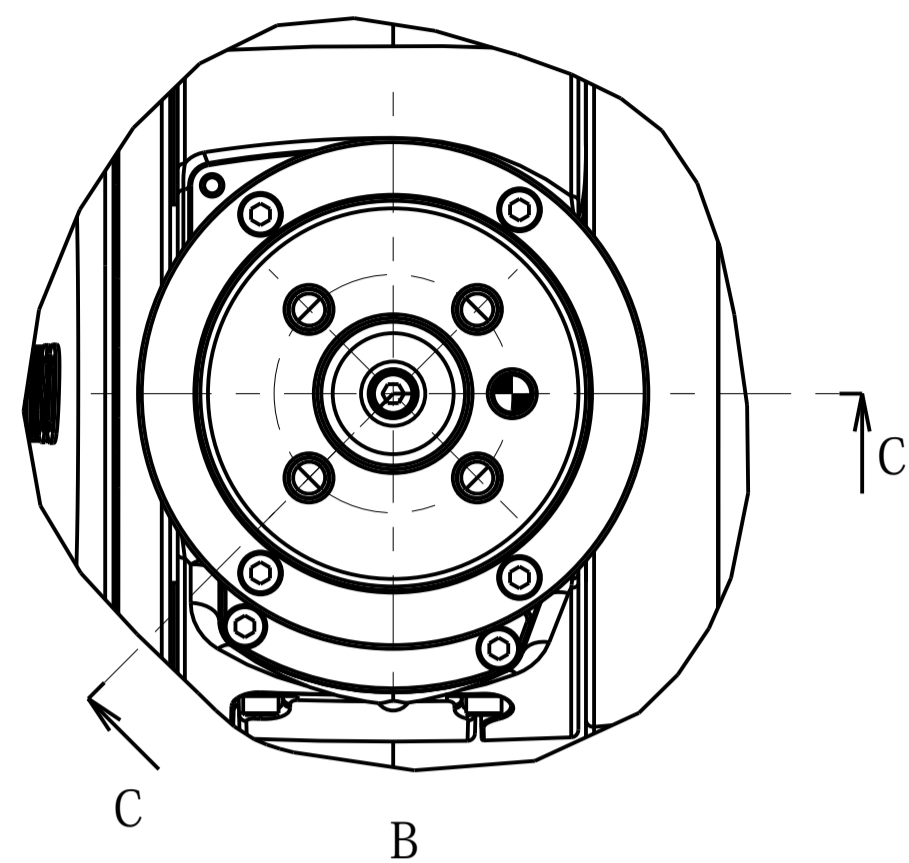
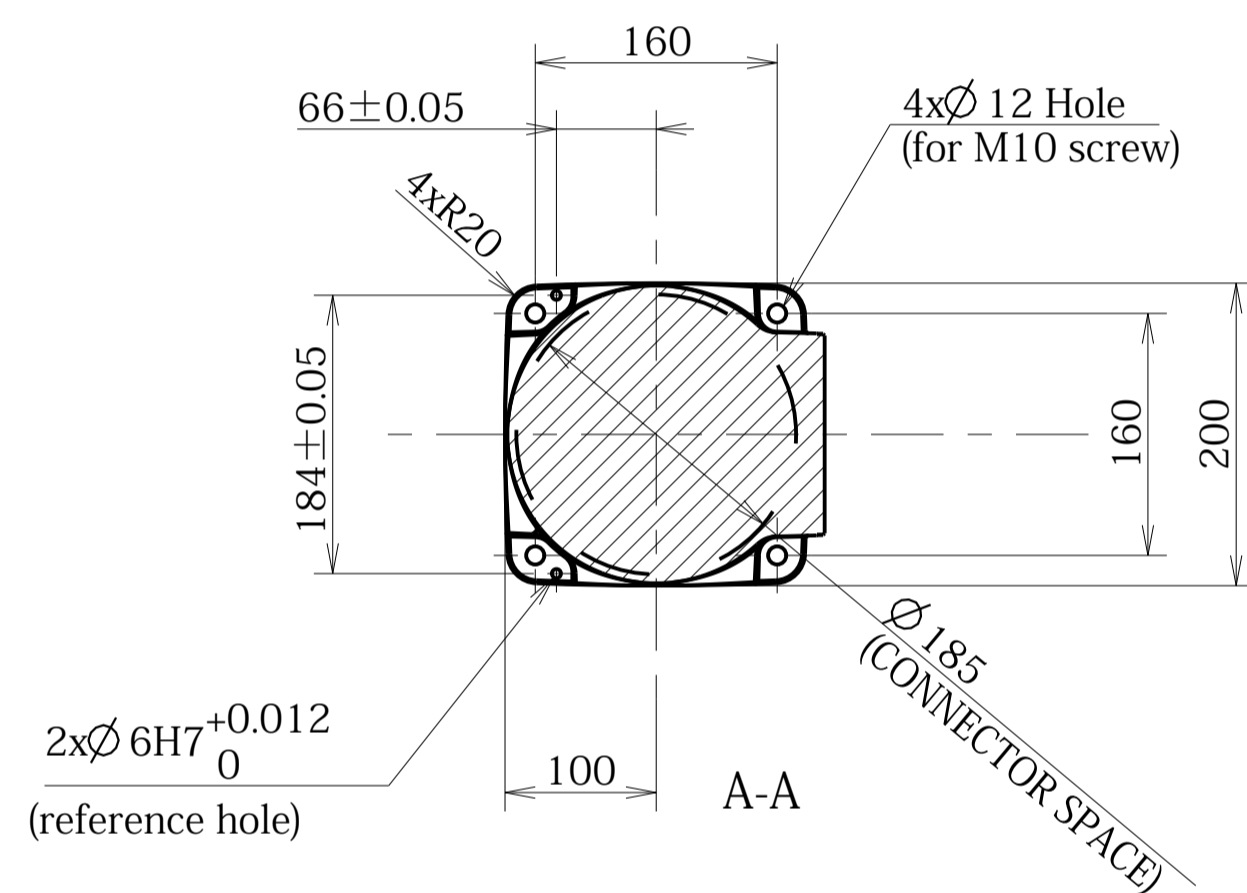


VS-068 (Bottom Connector Panel, Standard Flange, Cleanroom (class 5 cleanliness-ISO 14644-1)  
 410590-3500  
 VS-068 (Bottom Connector Panel, Standard Flange, Cleanroom (class 3 cleanliness-ISO 14644-1)  
 410590-3660

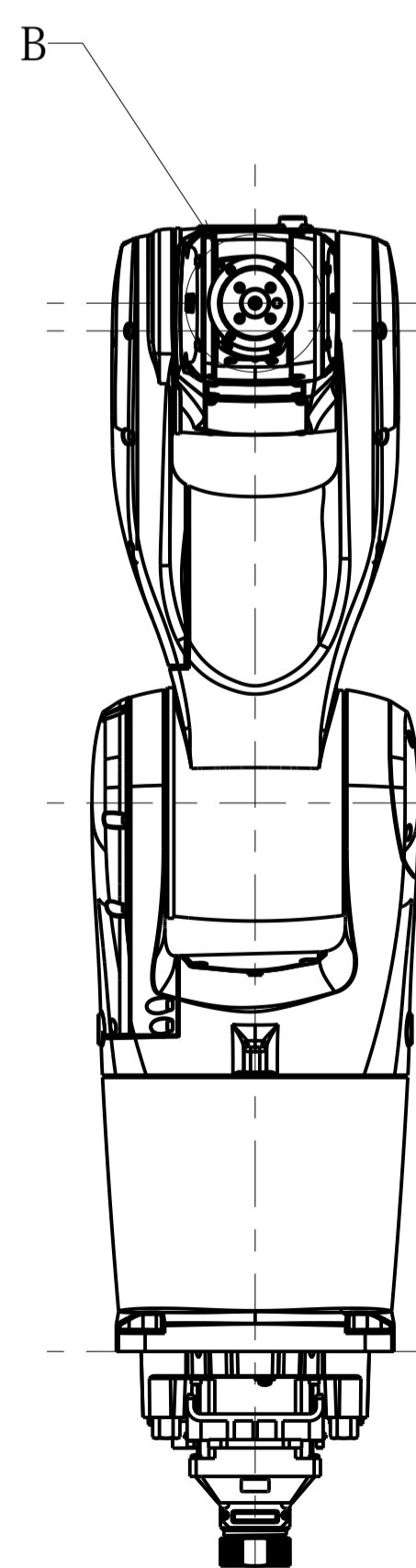
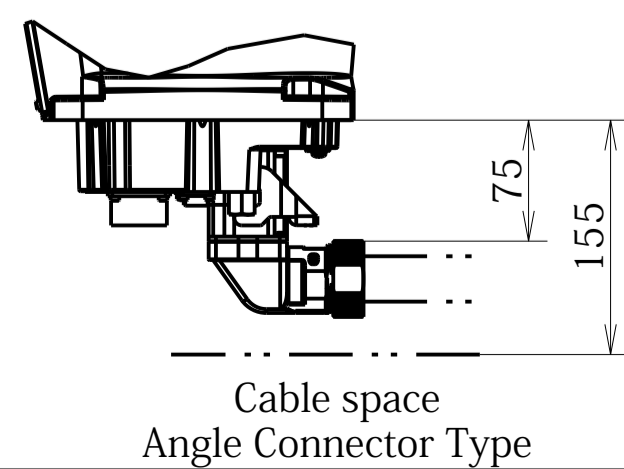
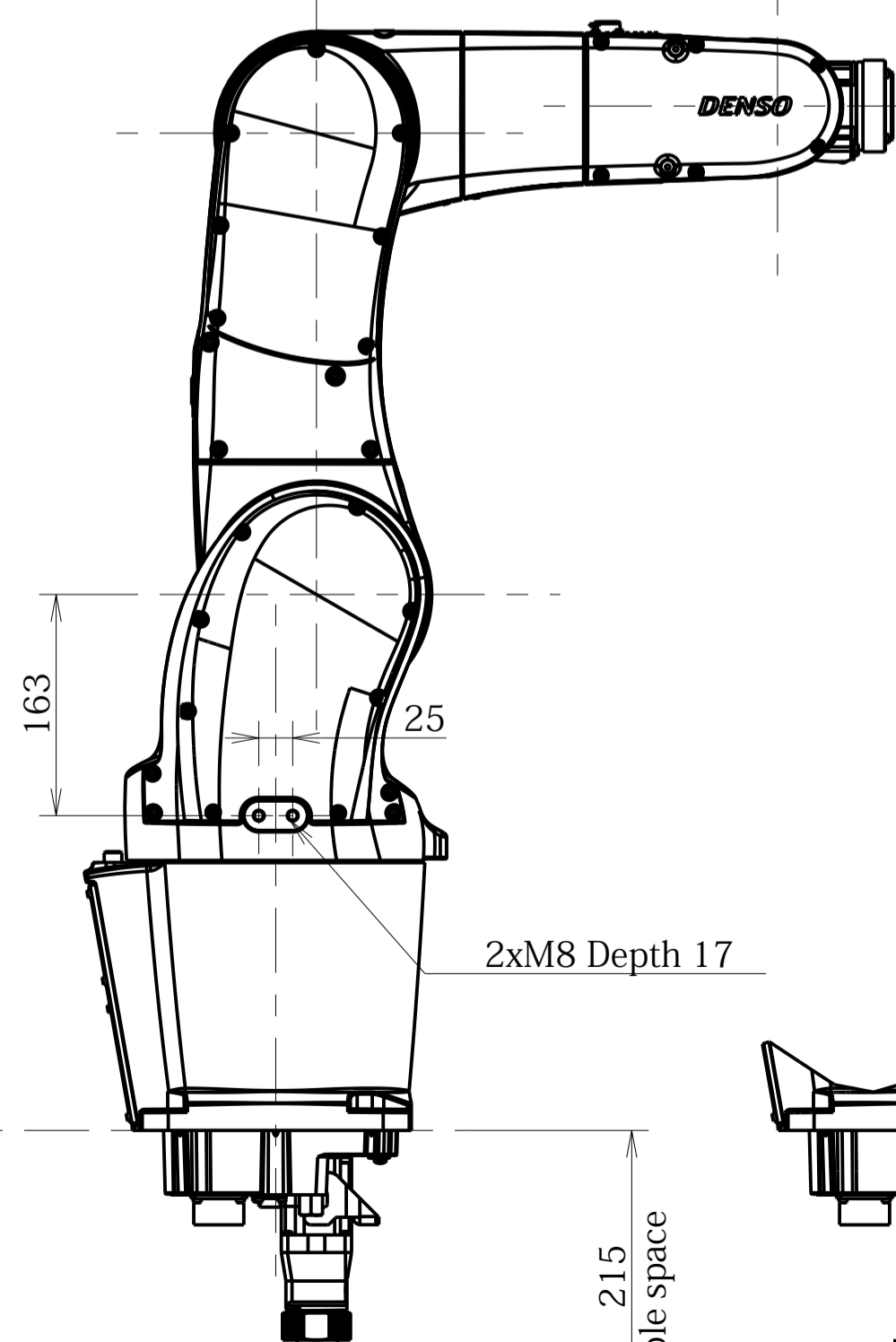
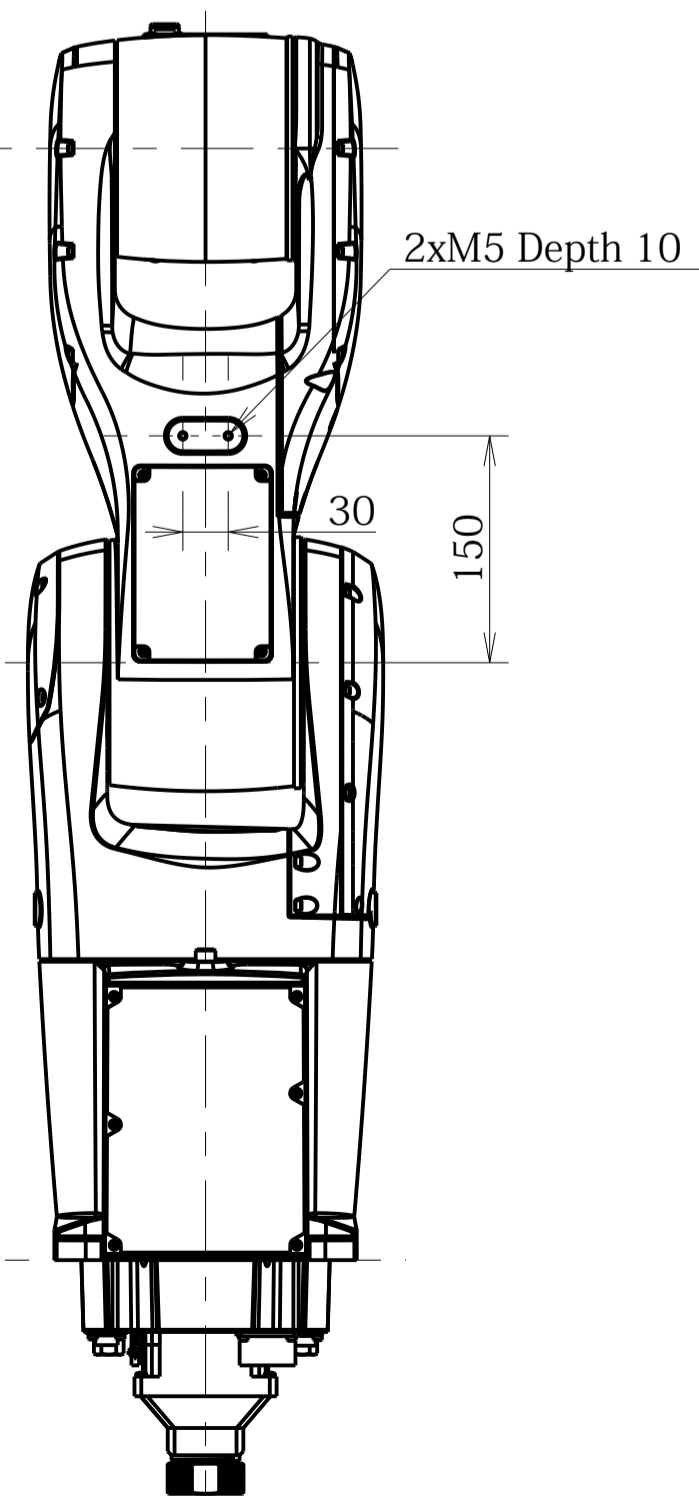
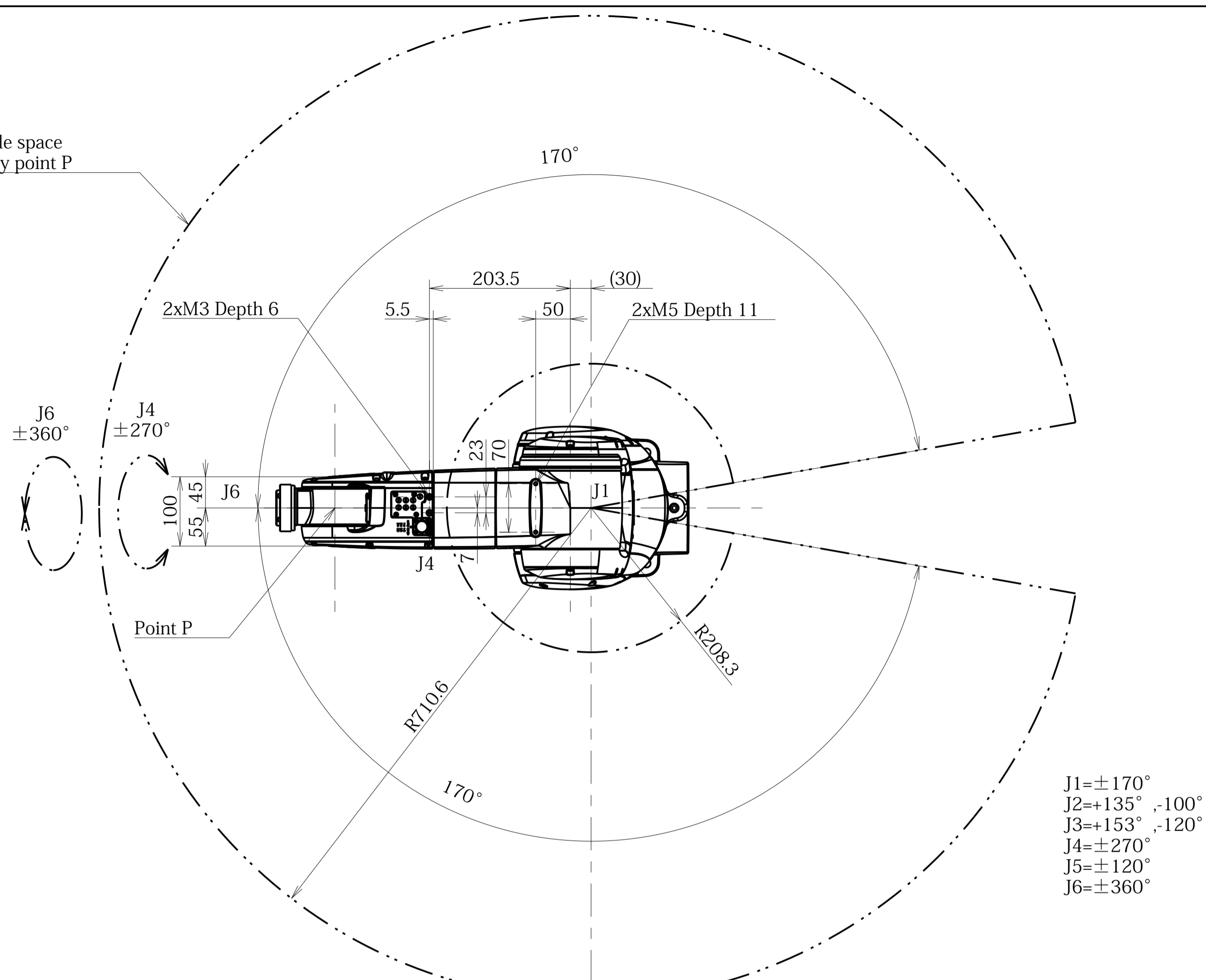
Detailed drawing of end-effector mounting face



Detailed drawing of base mounting face



Workable space  
 defined by point P



Workable space  
 defined by point P

