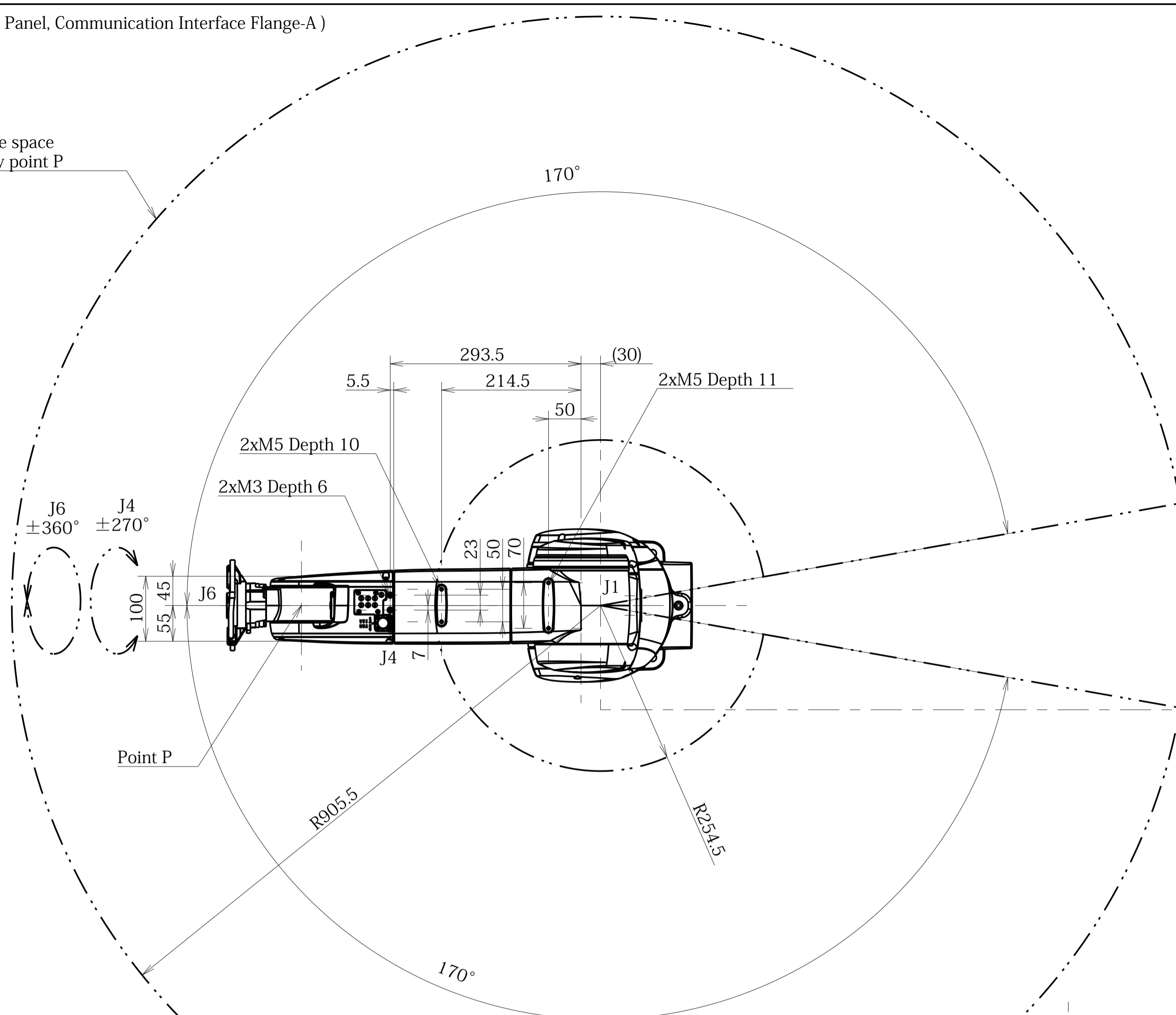
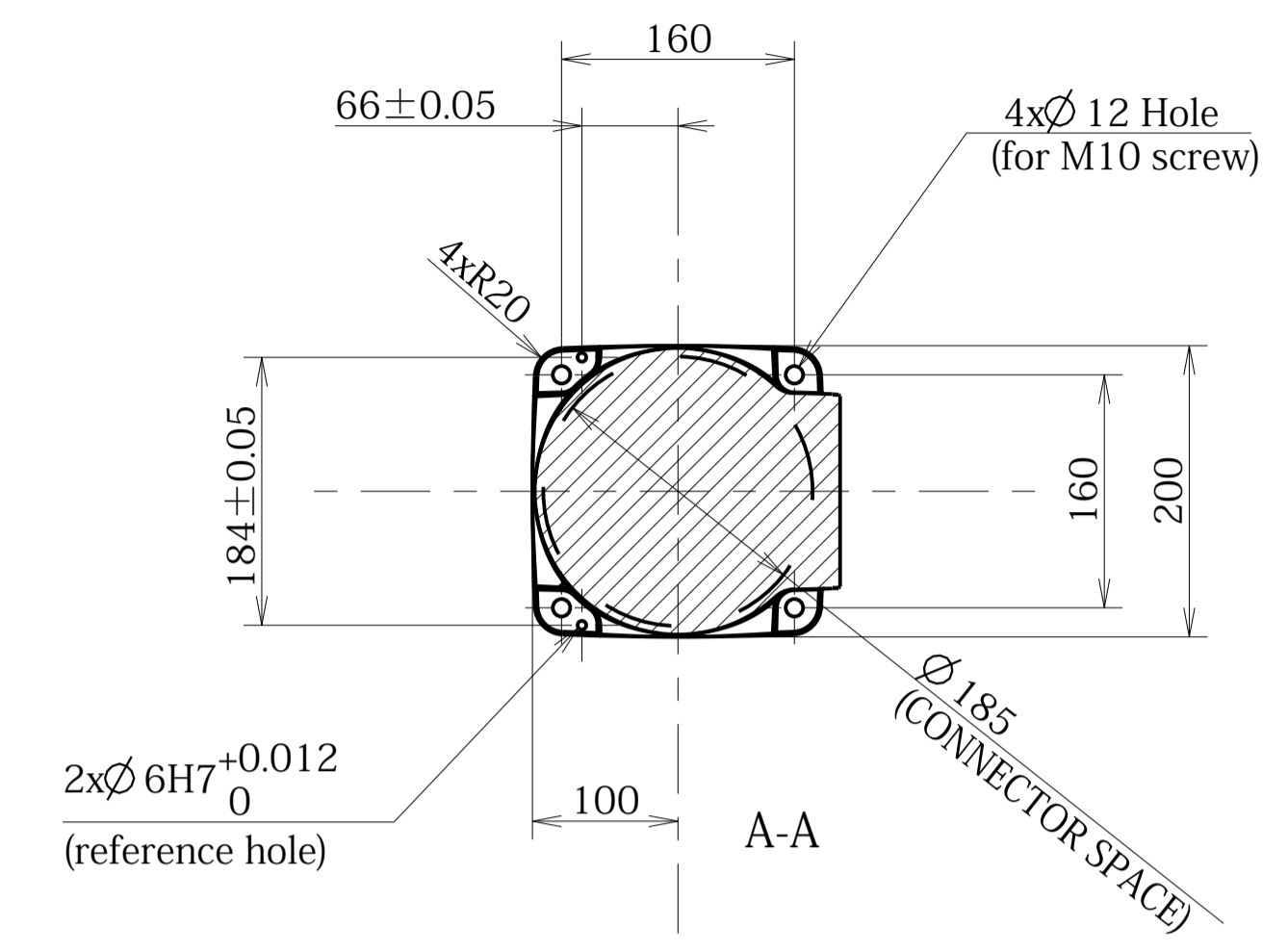


Workable space  
definid by point P



Detailed drawing of base mounting face



- J1=±170°
- J2=+135° -100°
- J3=+153° -136°
- J4=±270°
- J5=±120°
- J6=±360°

