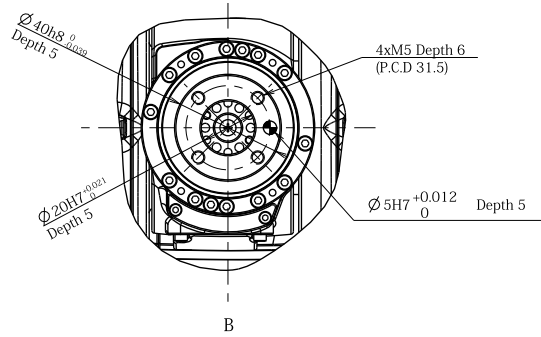
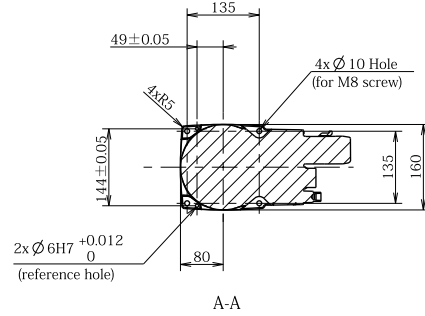


Detailed drawing of end-effector mounting face



Detailed drawing of base mounting face



Workable space
defin by point P

