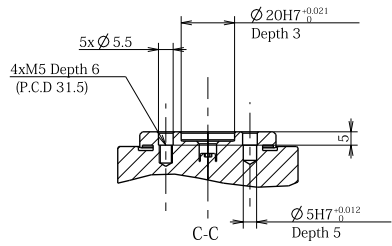
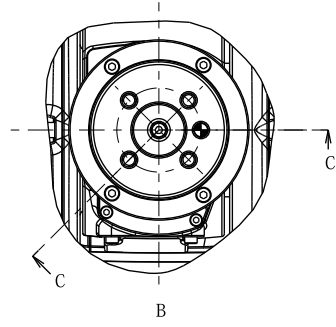
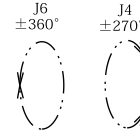
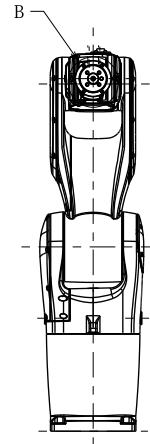
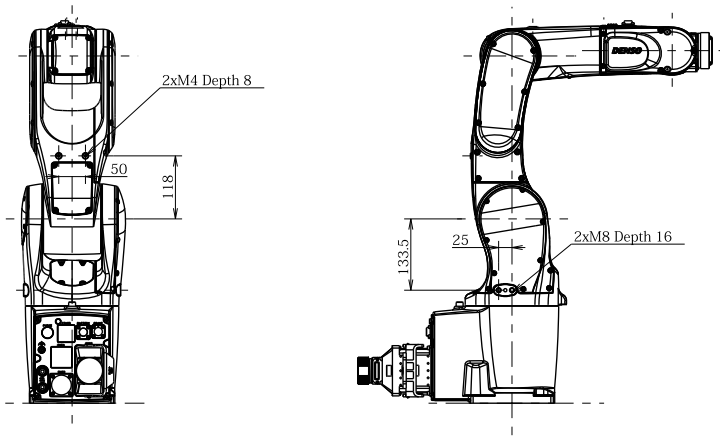
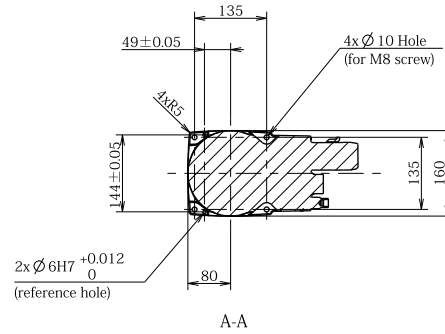


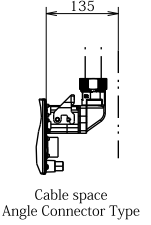
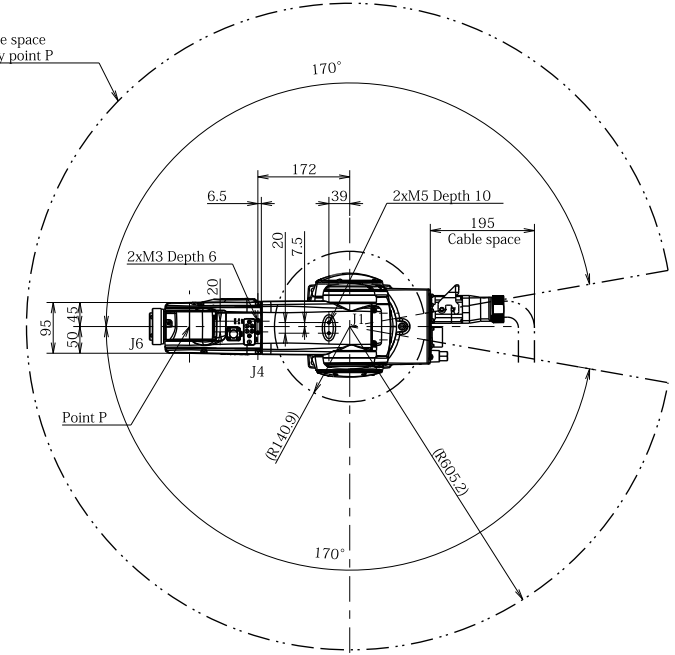
Detailed drawing of end-effector mounting face



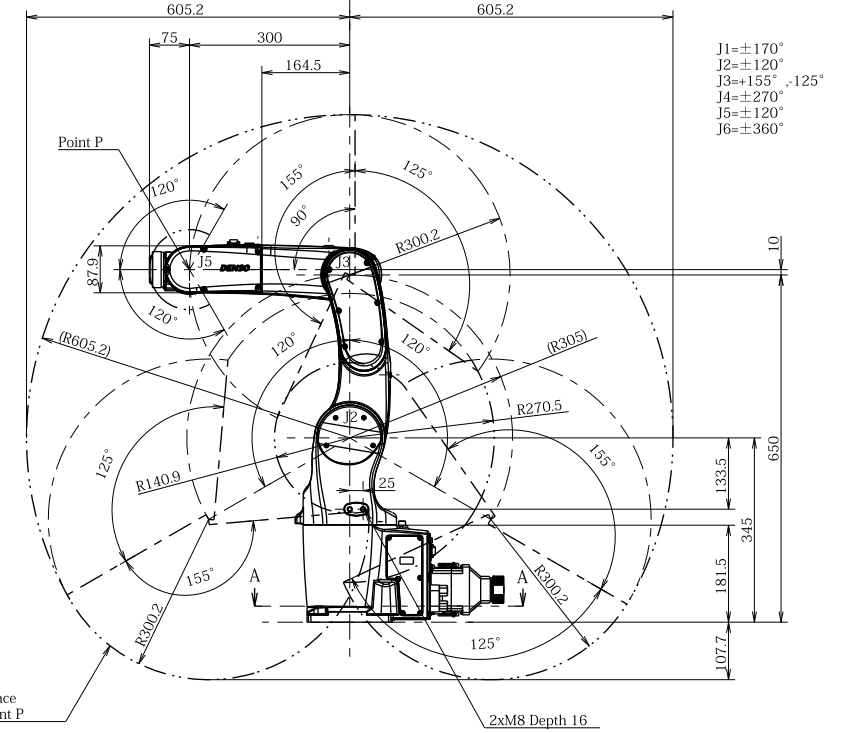
Detailed drawing of base mounting face



Workable space  
 defin by point P



Cable space  
 Angle Connector Type



J1=±170°  
 J2=±120°  
 J3=±155°, -125°  
 J4=±270°  
 J5=±120°  
 J6=±360°

Workable space  
 defin by point P