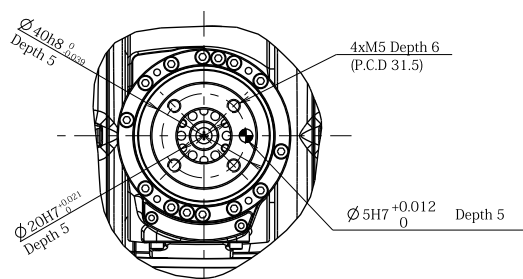
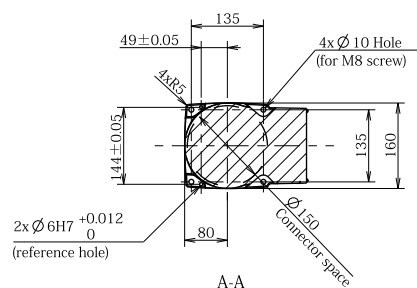


Detailed drawing of end-effector mounting face



B

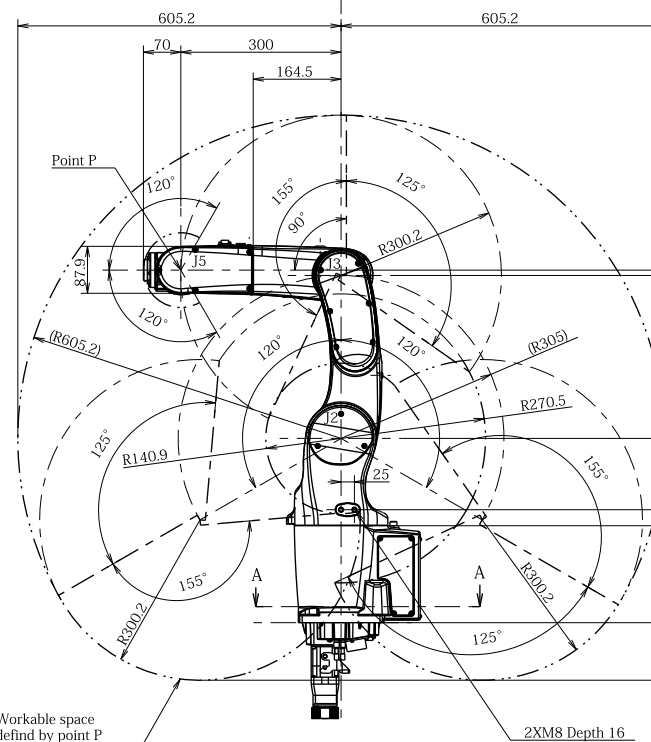
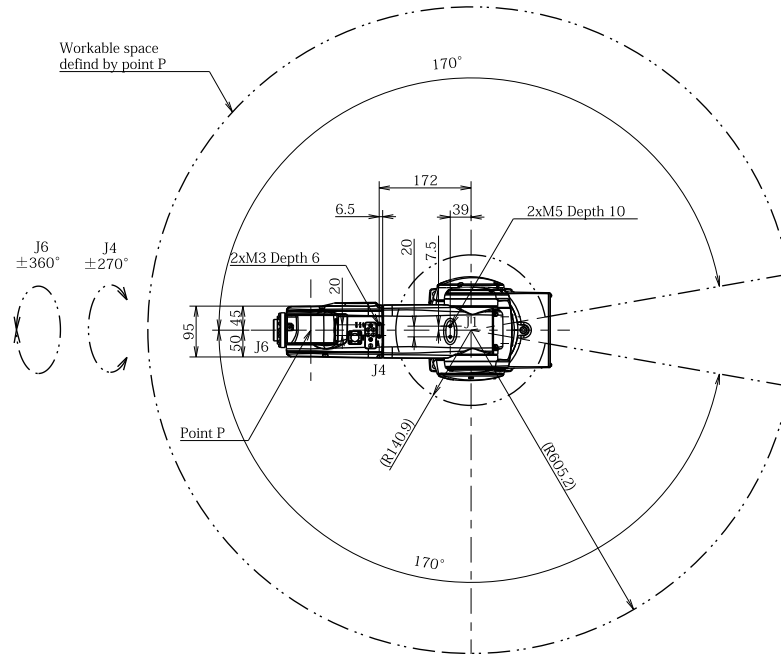
Detailed drawing of base mounting face



A-A

B

Workable space
defined by point P



$J1 = \pm 170^\circ$
 $J2 = \pm 120^\circ$
 $J3 = \pm 155^\circ, -125^\circ$
 $J4 = \pm 270^\circ$
 $J5 = \pm 120^\circ$
 $J6 = \pm 360^\circ$

