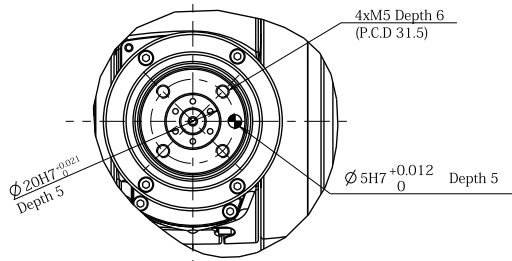
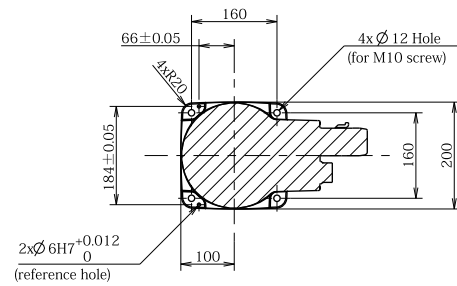


Detailed drawing of end-effector mounting face

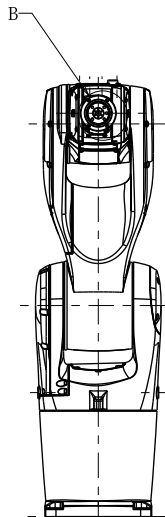
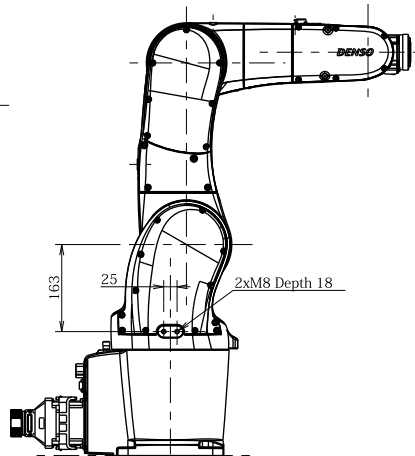
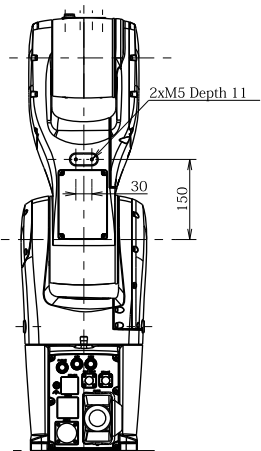


B

Detailed drawing of base mounting face



A-A



Workable space
 defined by point P

