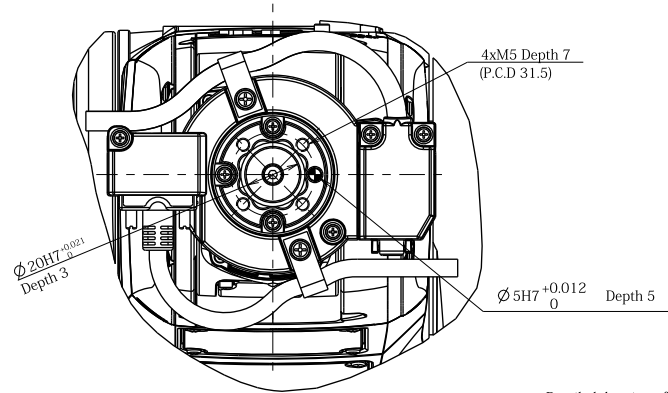
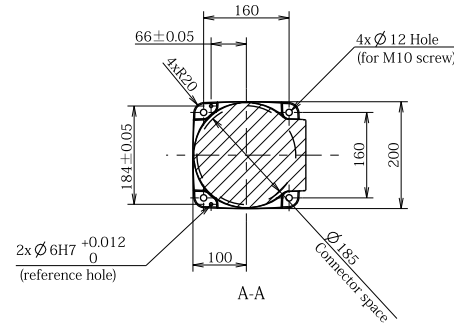


Detailed drawing of end-effector mounting face

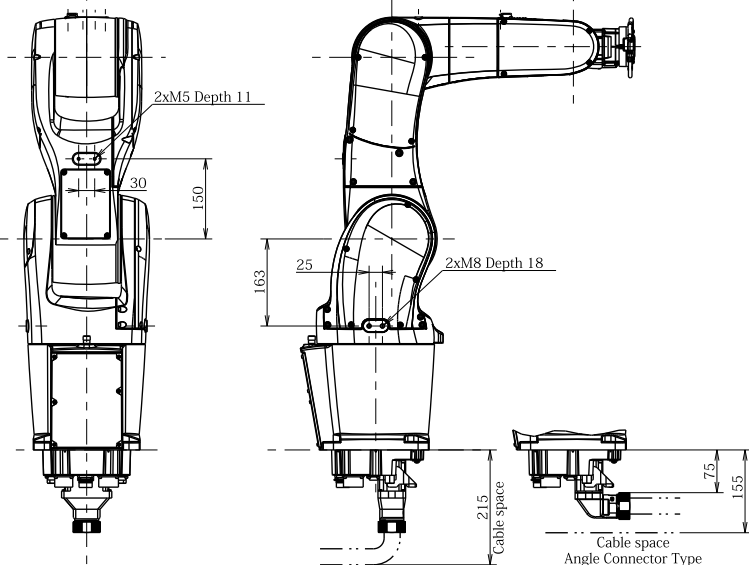


B

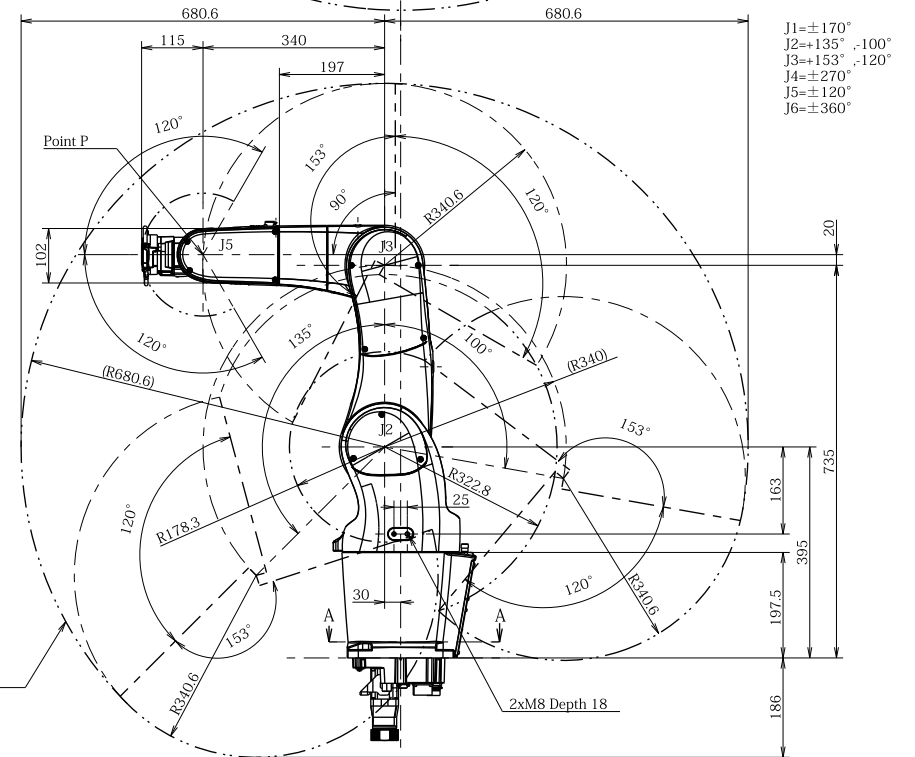
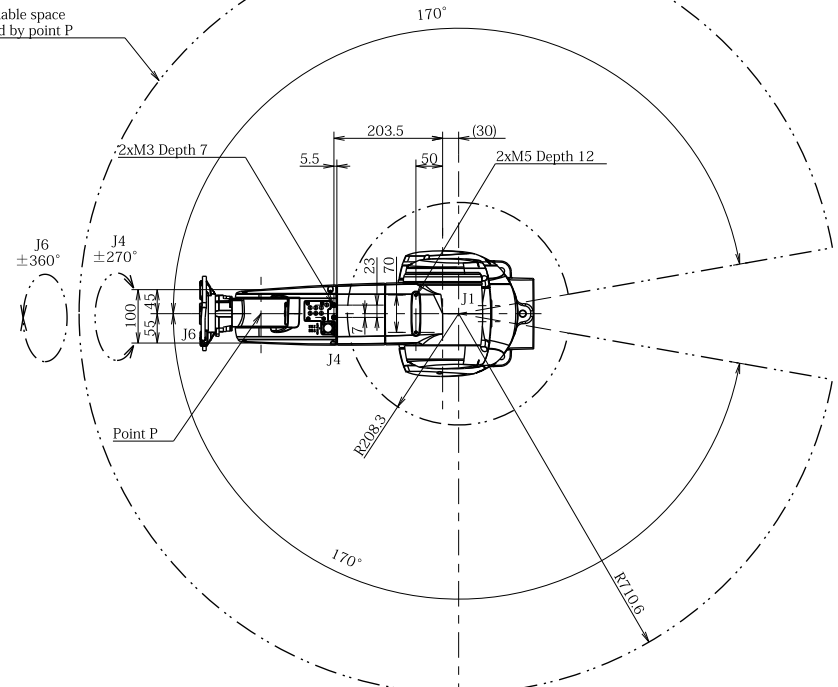
Detailed drawing of base mounting face



B



Workable space
defined by point P



Workable space
defined by point P