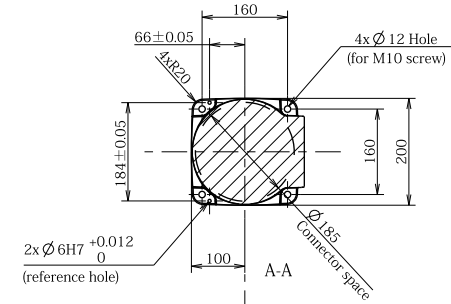
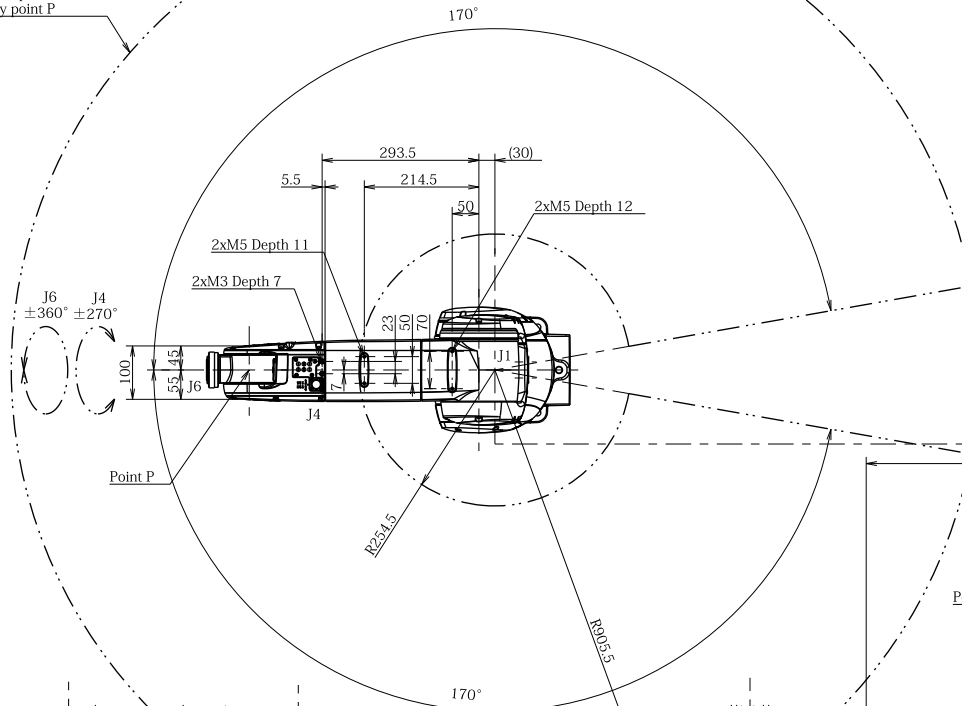


VS-087 (Bottom Connector Panel, Standard Flange, Protected type (IP67))
 410590-3280
 VS-087 (Bottom Connector Panel, Standard Flange, Dust & Mist Proof (IP54(Wrist:IP65)))
 410590-3440

Workable space
 defined by point P

Detailed drawing of base mounting face



- J1=±170°
- J2=+135°, -100°
- J3=+153°, -136°
- J4=±270°
- J5=±120°
- J6=±360°

